

Prepare For Drive Start-Up

Before Applying Power to the Drive

- ❑ 1. Confirm that all inputs are connected to the correct terminals and are secure.
- ❑ 2. Verify that AC line power at the disconnect device is within the rated value of the drive.
- ❑ 3. Verify that any digital control power is 24 volts.
- ❑ 4. Verify that the Sink (SNK)/Source (SRC) Setup DIP Switch is set to match your control wiring scheme. See [Figure 1.5 on page 1-13](#) for location.

Important: The default control scheme is Source (SRC). The Stop terminal is jumpered (I/O Terminals 01 and 11) to allow starting from the keypad. If the control scheme is changed to Sink (SNK), the jumper must be removed from I/O Terminals 01 and 11 and installed between I/O Terminals 01 and 04.

- ❑ 5. Verify that the Stop input is present or the drive will not start.

Important: If I/O Terminal 01 is used as a stop input, the jumper between I/O Terminals 01 and 11 must be removed.

- ❑ 6. Apply AC power and control voltages to the drive.
- ❑ 7. Familiarize yourself with the integral keypad features (see [page 2-3](#)) before setting any Program Group parameters.

The next few slides walk through each step.

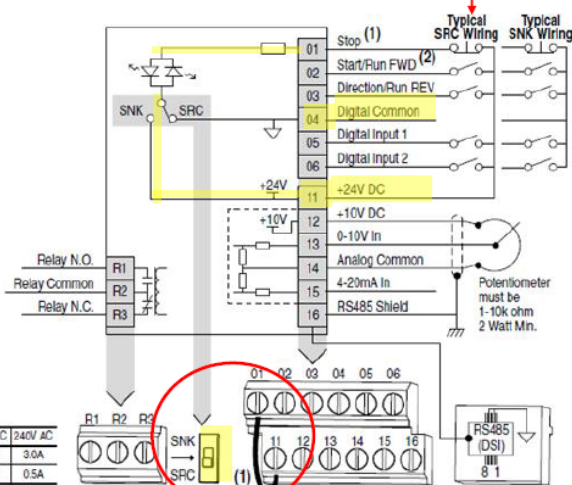


143



144

1. Confirm that all inputs are connected to the correct terminals and are secure. **This step will take place at the beginning of each hands-on lab activity.**



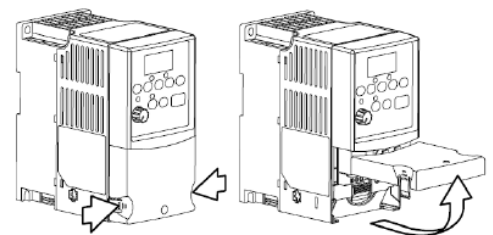
2. Verify that any digital control power is 24 volts.
3. Verify that the SNK/SRC Setup DIP switch is set to match your control wiring scheme. Default setting is SRC.
4. Verify that the Stop input is present or the drive will not start. **If I/O terminal 01 is used as stop input the jumper wire between 01 and 11 MUST BE REMOVED.**

Have students remove the cover on the drive. Then, have them identify the terminals that correspond to each bullet item.

Be sure to reference the User Manual and all the safety precautions.

Opening the Cover

1. Press and hold in the tabs on each side of the cover.
2. Pull the cover out and up to release.



145



146